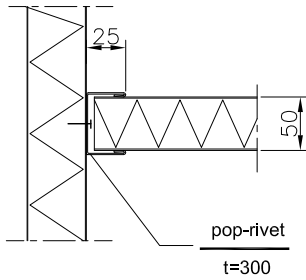
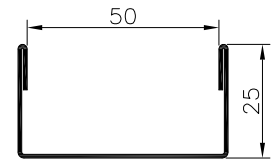


Example of usage:

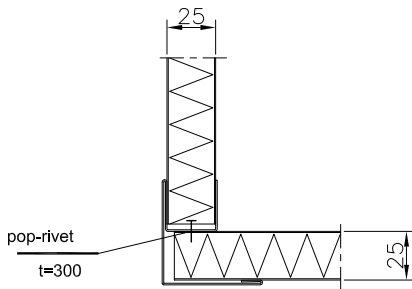


PRD 10-50

PVC, RAL, INOX
Thickness 0,6 mm
Weight: 0,6 kg/lm

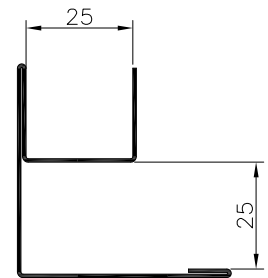


Example of usage:

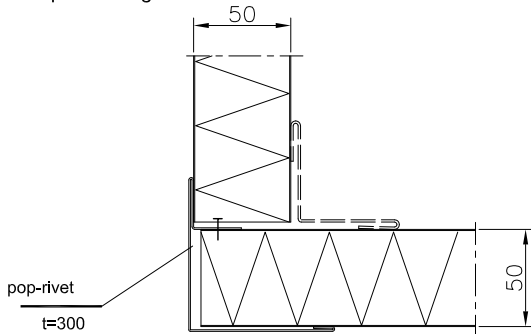


PRD 11-25

PVC, RAL, INOX
Thickness 0,6 mm
Weight: 0,87 kg/lm

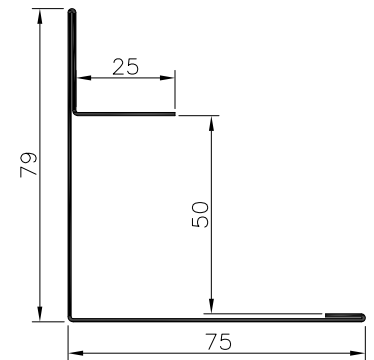


Example of usage:

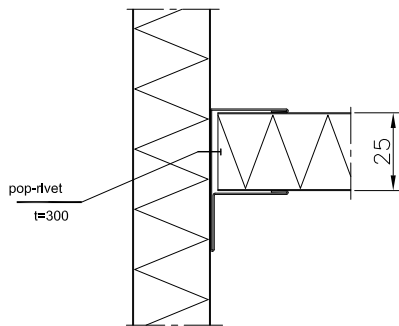


PRD 11-50

PVC, RAL, INOX
Thickness 0,6 mm
Weight: 1,1 kg/lm

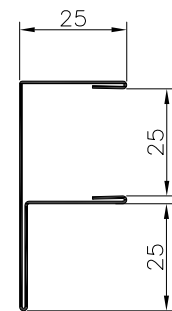


Example of usage:

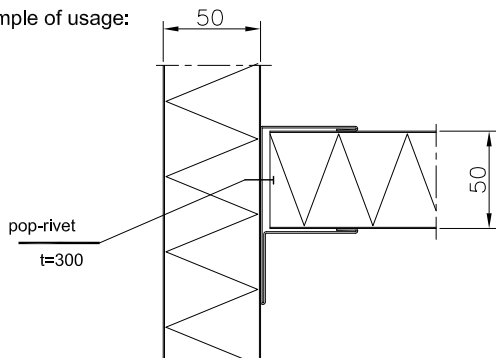


PRD 12-25

PVC, RAL, INOX
Thickness 0,6 mm
Weight: 0,72 kg/lm

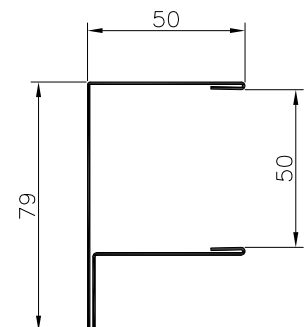


Example of usage:

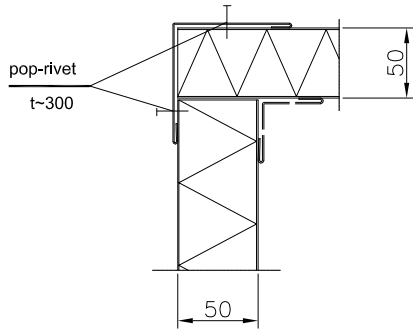


PRD 12-50

PVC, RAL, INOX
Thickness 0,6 mm
Weight: 1,1 kg/lm

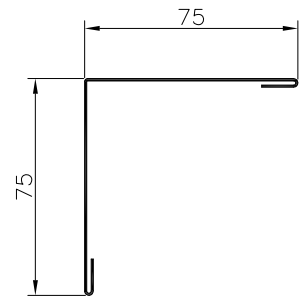


Example of usage:

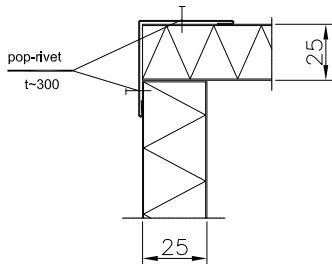


PRD 13

PVC, RAL, INOX
Thickness 0,6 mm
Weight: 0,82 kg/lm

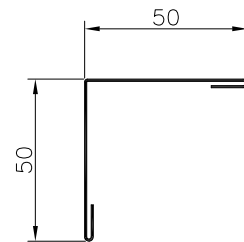


Example of usage:

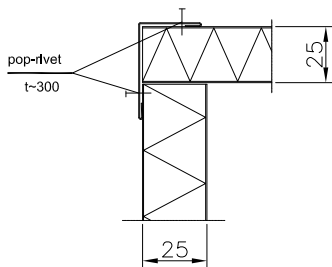


PRD 14

PVC, RAL, INOX
Thickness 0,6 mm
Weight: 0,6 kg/lm

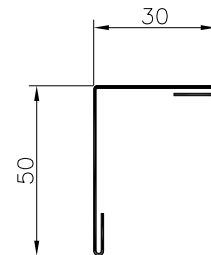


Example of usage:

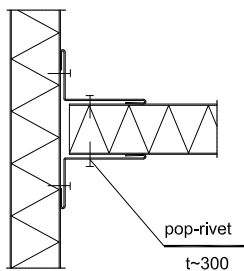


PRD 15

PVC, RAL, INOX
Thickness 0,6 mm
Weight: 0,48 kg/lm

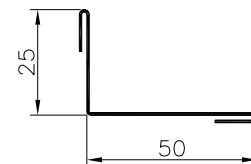


Example of usage:

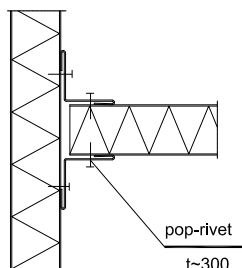


PRD 16

PVC, RAL, INOX
Thickness 0,6 mm
Weight: 0,45 kg/lm

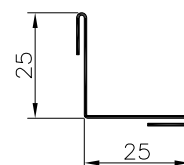


Example of usage:

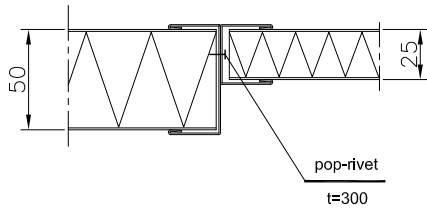


PRD 17

PVC, RAL, INOX
Thickness 0,6 mm
Weight: 0,35 kg/lm

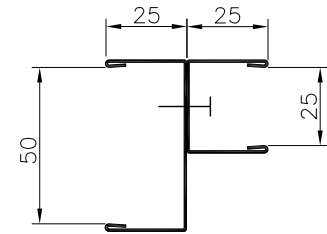


Example of usage:

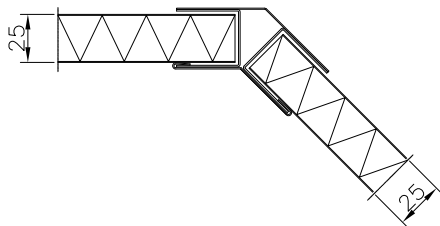


PRD 10-25/50

PVC, RAL, INOX
Thickness 0,6 mm
Weight: 1,1 kg/lm



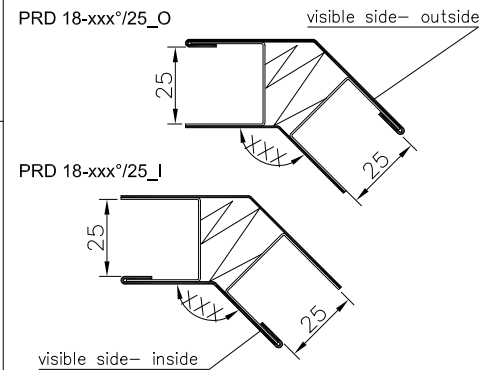
Example of usage:



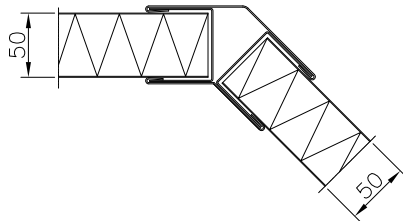
Angle "xxx°" between 90° and 180°

PRD 18-xxx°/25_O
PRD 18-xxx°/25_I

PVC, RAL, INOX
Thickness 0,6 mm
Weight: 1,7 kg/lm



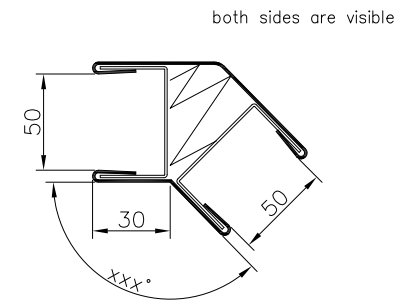
Example of usage:



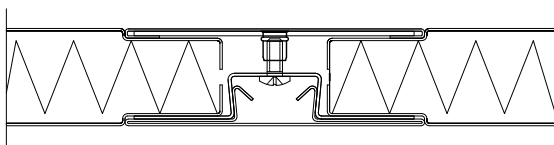
Angle "xxx°" between 90° and 180°

PRD 19-xxx°/50

PVC, RAL, INOX
Thickness 0,6 mm
Weight: 2,2 kg/lm

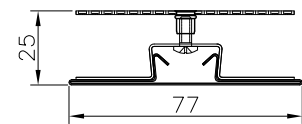


Example of usage:

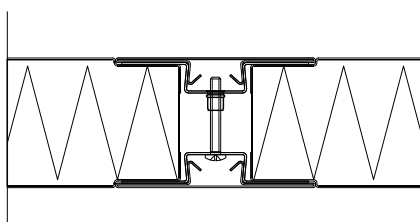


PRD 31/25

PVC, RAL, INOX
Thickness 0,6 mm
Weight: 2,5 kg/lm



Example of usage:



PRD 30/50

PVC, RAL, INOX
Thickness 0,6 mm
Weight: 3,6 kg/lm

