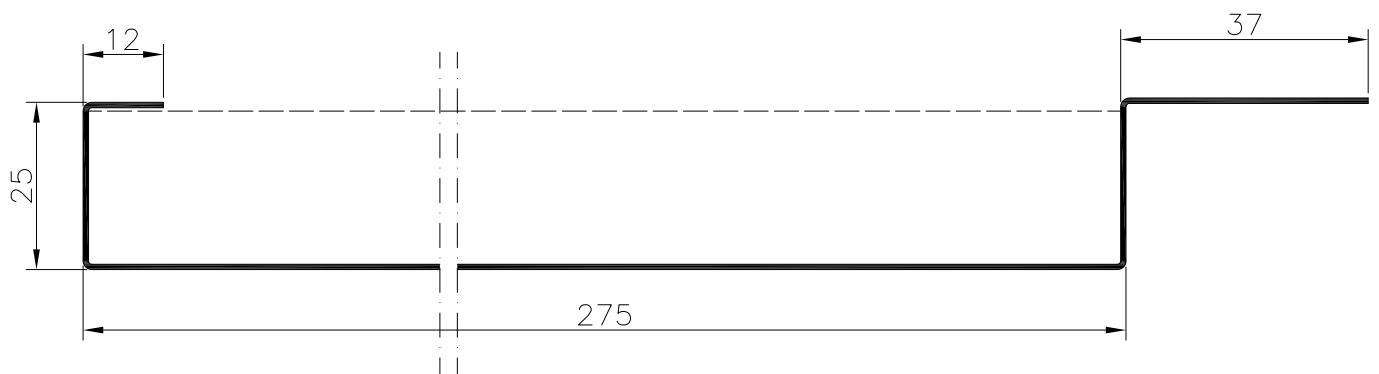
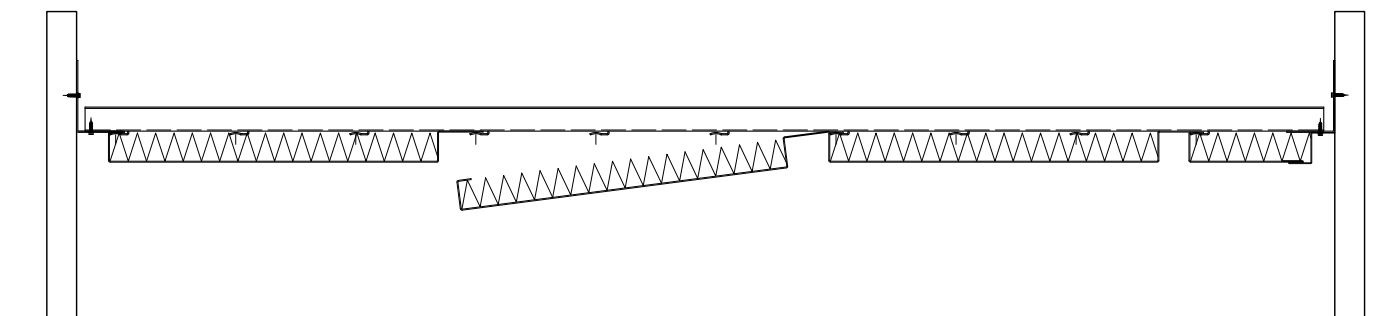
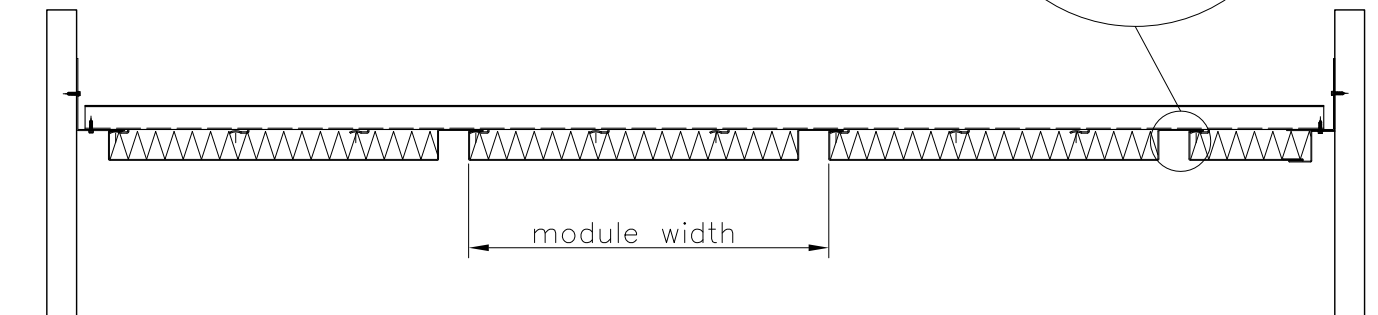
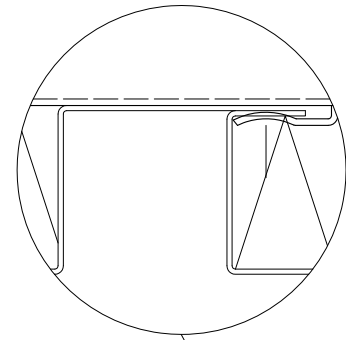


Each ceiling panel can be dismantled separately.  
See the technical description below.



PANEL	45-002-0010	Core material
Fire class	B-15/A30	Material: mineral wool
Weight	7,3 kg/m <sup>2</sup>	Surface material
Module width	100, 200, 300 mm	
Module length	up to 3000 mm	Material: galvanized steel sheet, stainless steel sheet
Thickness	25 mm	Coating: PVC film, RAL
Application	accommodation	Fire class: low flame spread surface class 1

Our products are produced according to our projects and documentation or customer's specification.

