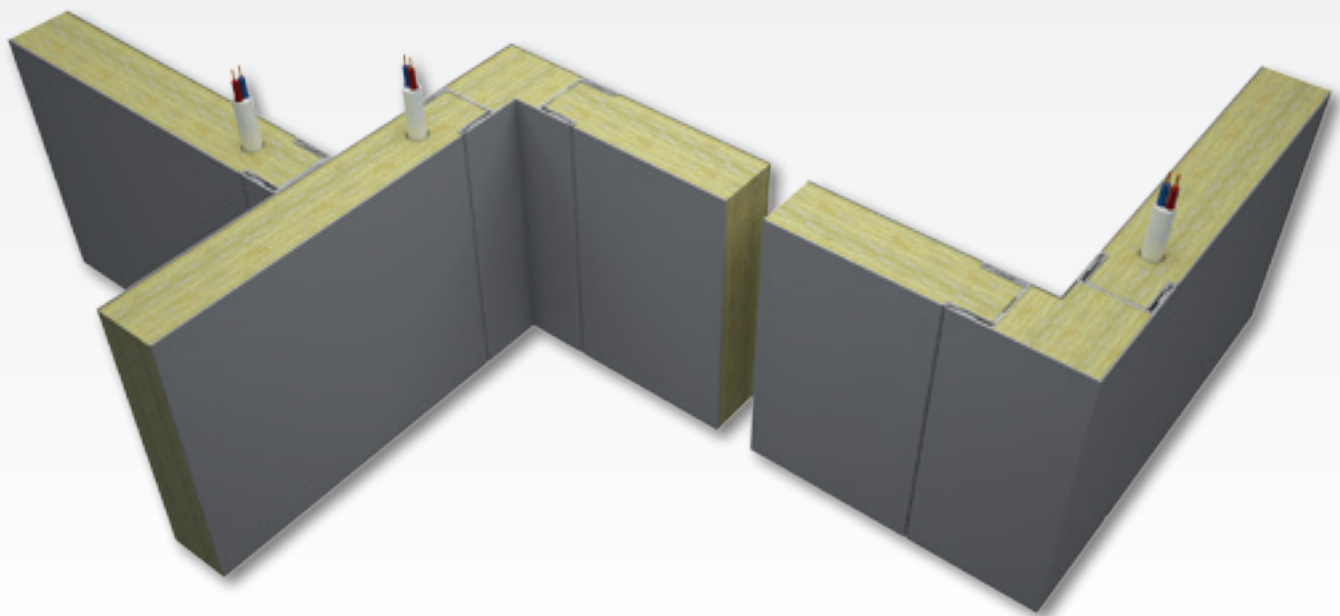


panel systems



Our B15-class panel is perfect for all kinds of ships accommodations, including wet and dry cabins. The installation of the system is fast and easy. It weights very little and it has a high noise-reduction index. The panels are made of galvanized steel sheets coated with a decorative PCV foil or they are powder painted with a RAL colour system. A BANCO's sandwich panel consists of non-combustible materials with a core of mineral wool. The panel systems are supplied with a full range of fixing and edging profiles.

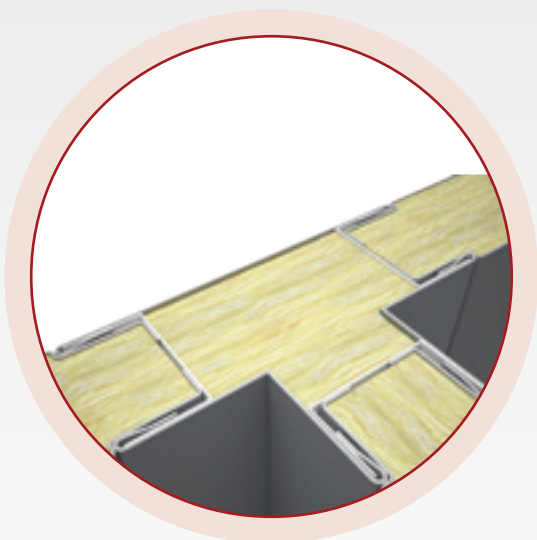
Standard panel dimensions (W×H): 600 × up to 2500 mm.

DESCRIPTION

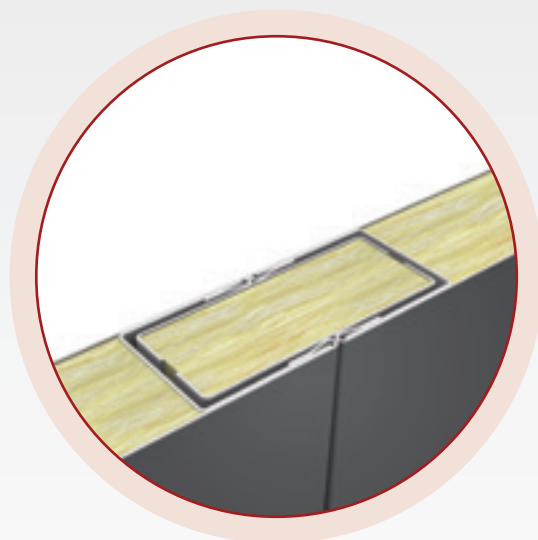
25 mm wall
50 mm wall
2 x 25 mm wall

SOUND REDUCTION

33 dB
36 dB; 43 dB; 47 dB
47 dB



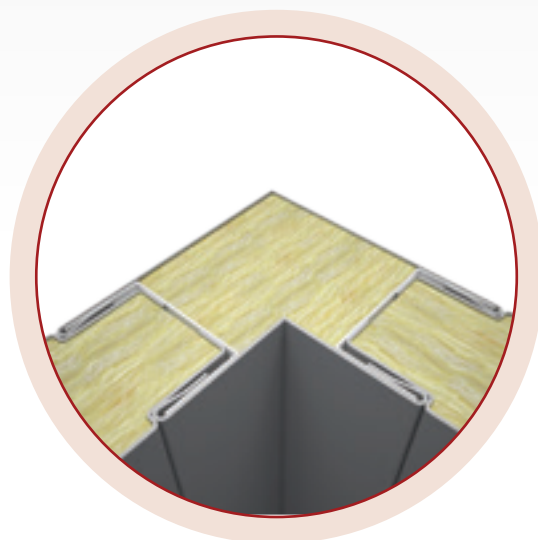
tee joint



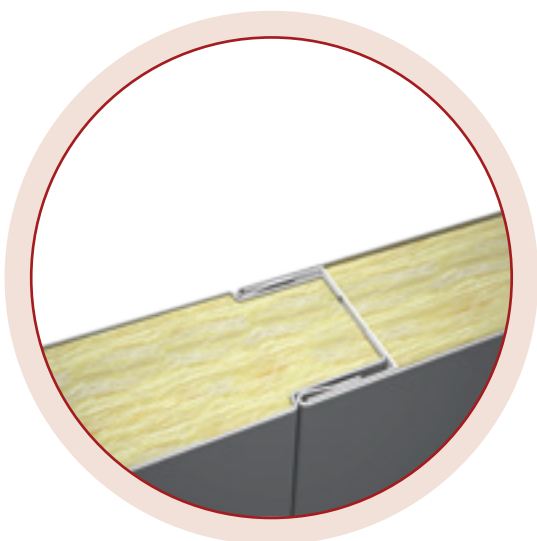
loose tongue joint



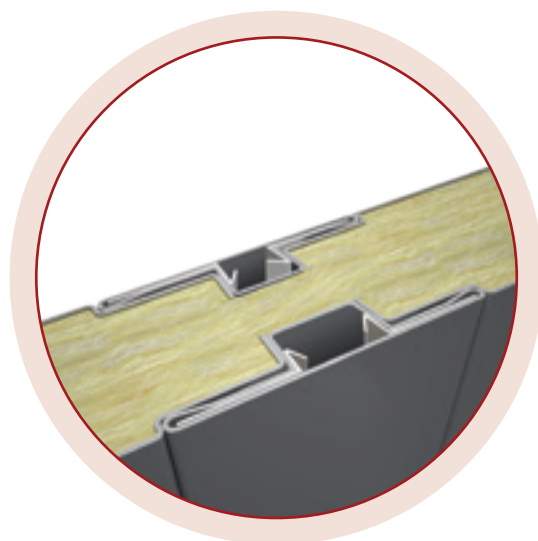
fixed by screws joint



corner joint



tongue and groove joint



omega joint

WALL PANEL SYSTEM

Lining & partition

KK

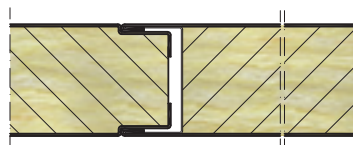
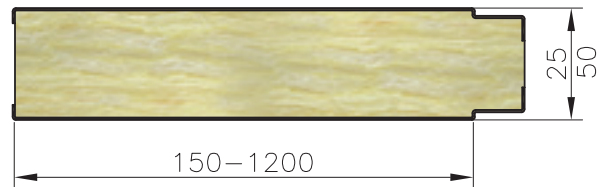
PA XXX



PA 25 S / PA 50 S



PA 25 SF / PA 50 SF



PA 25 SM / PA 50 SM



PANEL	PA 25	PA 50	Core material
Fire class	B-15	B-15	Material: mineral wool
Standard width	600 mm	600 mm	Surface material
Module width	150-1200 mm*	150-1200 mm*	Material: galvanized steel sheet, INOX
Module length	up to 2700 mm	up to 2700 mm	Coating: PVC film, RAL
Thickness	25 mm	50 mm	Fire class: low flame spread surface class1
Sound red. (R _w) / weight	33 dB/14,3 kg/m ²	36 dB/19 kg/m ²	
Application	lining/partition	lining/partition	

* For more information, please, contact us.



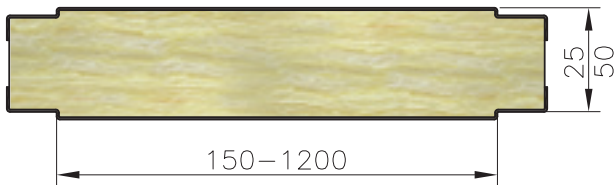
WALL PANEL SYSTEM

Lining & partition

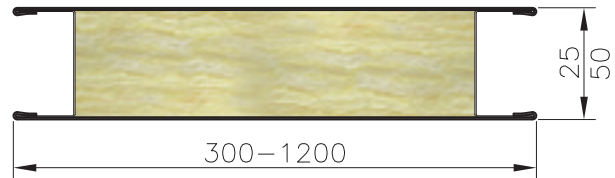
KK

PA XXX

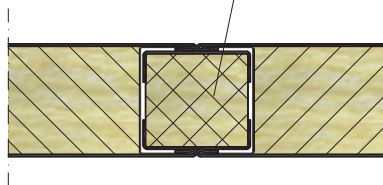
PA 25 R / PA 50 R



PA 25 A / PA 50 A

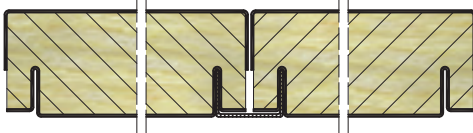


PA 25 / 50 AC



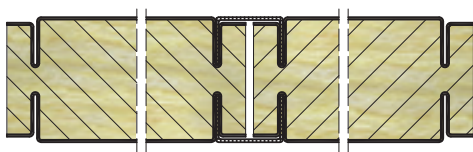
PA 25 AC / PA 50 AC

PA 25 Z *



PA - Z

PA 50 Z *



PANEL	PA 25	PA 50	Core material
Fire class	B-15	B-15	Material: mineral wool
Standard width	600 mm	600 mm	Surface material
Module width	150-1200 mm*	150-1200 mm*	Material: galvanized steel sheet, INOX
Module length	up to 2700 mm	up to 2700 mm	Coating: PVC film, RAL
Thickness	25 mm	50 mm	Fire class: low flame spread surface class1
Sound red. (R _w) / weight	33 dB/14,3 kg/m ²	36 dB/19 kg/m ²	
Application	lining/partition	lining/partition	

* For more information, please, contact us.

Copyrights © BANCO. The design or the drawing must not, without permission of the company, be published, copied or reproduced, manufactured or exploited unauthorised in any other way.



WALL PANEL SYSTEM

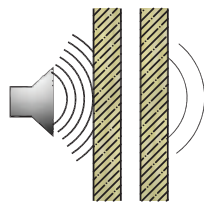
ACOUSTIC

KK

PA XXX/dB

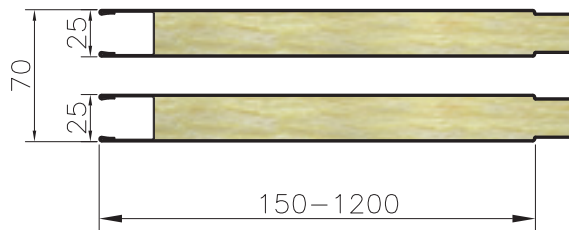
(x) - types of connections:
S, SF, SM, R, A

2 x PA25(x)

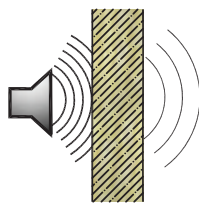


47 dB

2x PA 25(x) 47dB



PA50(x)



43 dB

PA 50(x) 43dB



PA50(x)



47 dB

PA 50(x) 47dB



PANEL	2x PA 25(x)	PA 50(x)	Core material
Fire class	B-15	B-15	Material: mineral wool
Standard width	600 mm	600 mm	Surface material
Module width	150-1200 mm*	150-600 mm*	Material: galvanized steel sheet, INOX
Module length	up to 2700 mm	up to 2700 mm	Coating: PVC film, RAL
Thickness	70 mm	50 mm	Fire class: low flame spread surface class1
Sound red. (R _w) / weight	47 dB/28,6 kg/m ²	43 dB/18,8 kg/m ² 47 dB/26,9 kg/m ²	
Application	lining/partition	lining/partition	

* For more information, please, contact us.



WALL PANEL SYSTEM

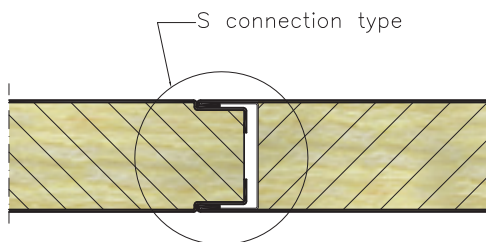
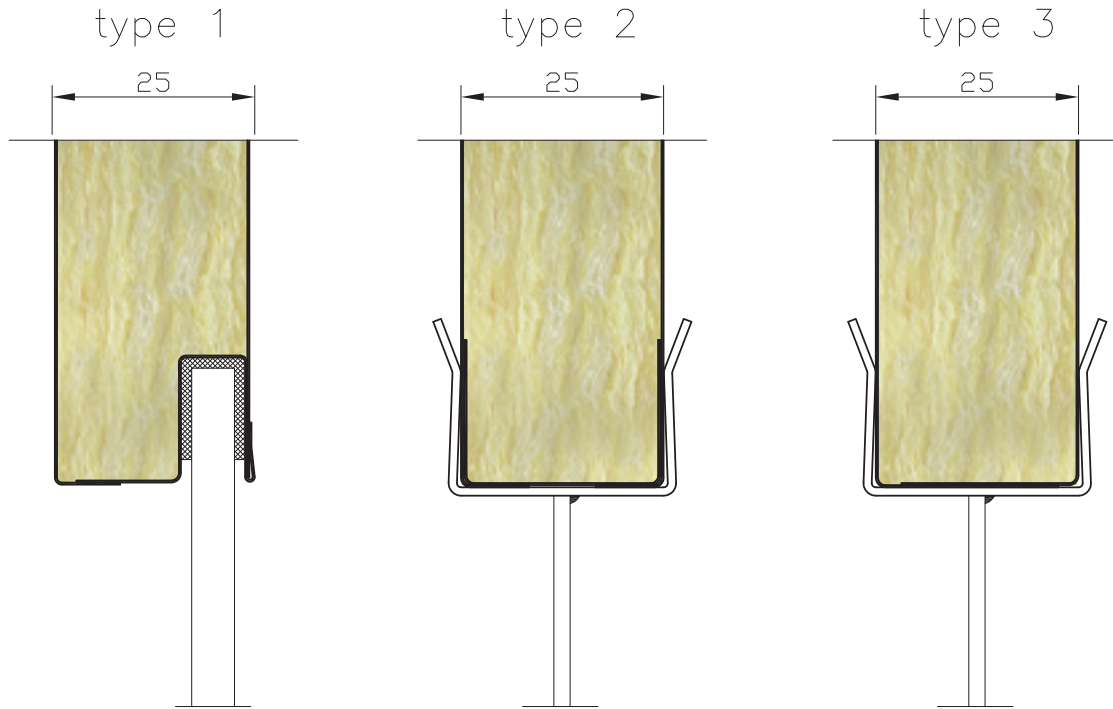
Wet lining & partition system

KK

PA 25 WET

(x) - types of connections:
S, SF, SM, R, A

PA 25(x) WET*



* Drawn coaming is not a part of a regular offer. For more information, please, contact us.

Note:
Panels PA25(x) WET can also be used as 2x PA25(x) WET acoustic panels with $R_w = 47\text{dB}$

PANEL	PA 25 WET	Core material
Fire class	B-15	Material: mineral wool
Standard width	600 mm	Surface material
Module width	150-1200 mm*	Material: galvanized steel sheet, INOX
Module length	up to 2700 mm	Coating: PVC film, RAL
Thickness	25 mm	Fire class: low flame spread surface class1
Sound red. (R_w) / weight	33 dB/15 kg/m ²	
Application	lining/partition	

* For more information, please, contact us.



WALL PANEL SYSTEM

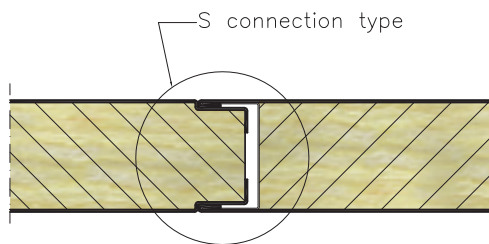
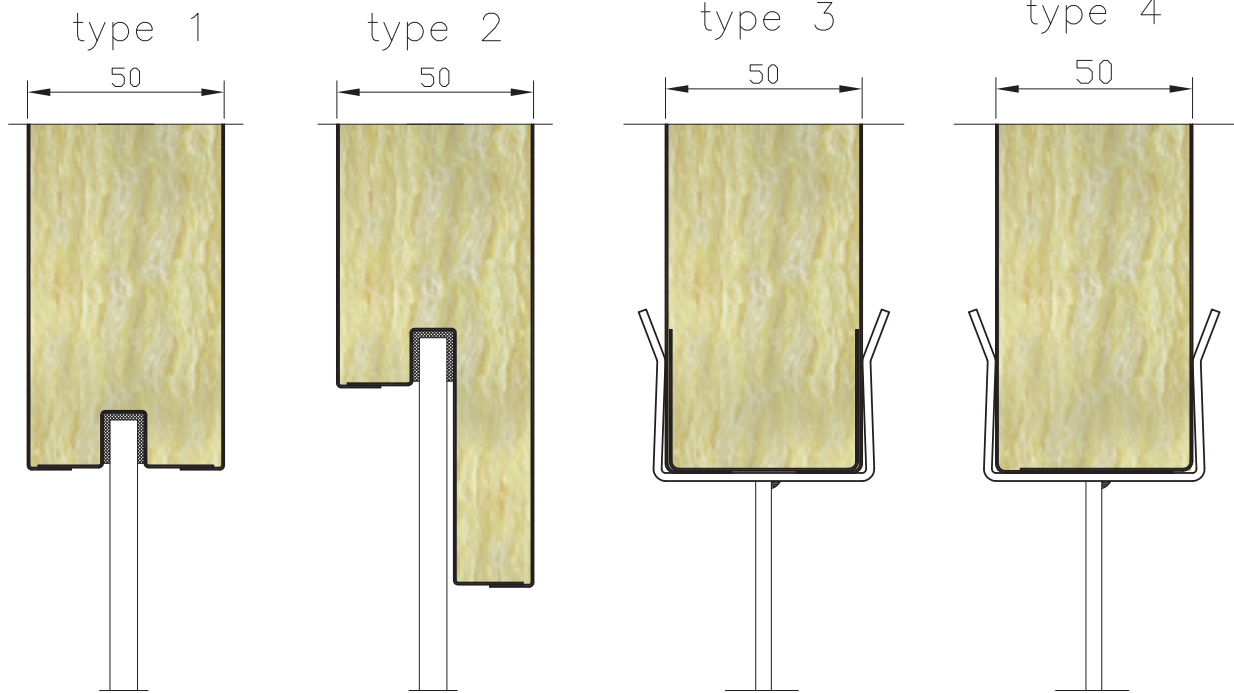
Wet lining & partition system

KK

PA 50 WET

(x) - types of connections:
S, SF, SM, R, A

PA 50(x) WET*



* Drawn coaming is not a part of a regular offer. For more information, please, contact us.

Note:
Panels PA50(x) WET can also be produced as acoustic panels with $R_w = 43\text{dB}$ or $R_w = 47\text{dB}$

PANEL		PA 50 WET	Core material
Fire class		B-15	Material: mineral wool
Standard width		600 mm	Surface material
Module width		150-1200 mm*	
Module length		up to 2700 mm	Material: galvanized steel sheet, INOX
Thickness		50 mm	Coating: PVC film, RAL
Sound red. (R_w) / weight		36 dB/19 kg/m^2	Fire class: low flame spread surface class1
Application		lining/partition	

* For more information, please, contact us.



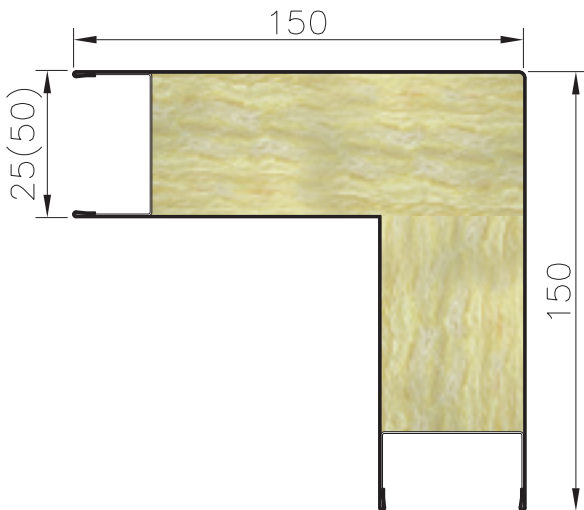
WALL PANEL SYSTEM

Corner panels

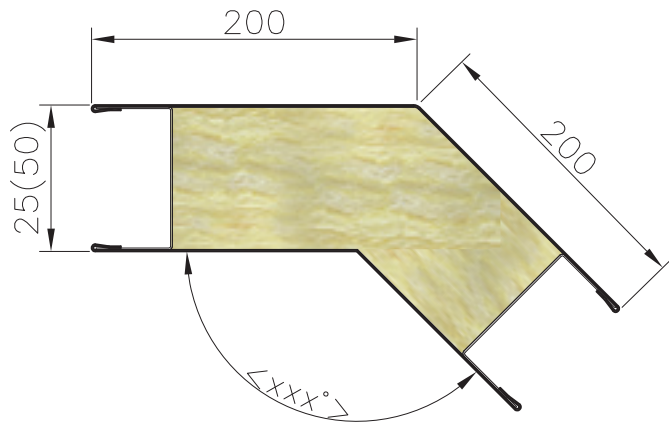
KK

CO XXX

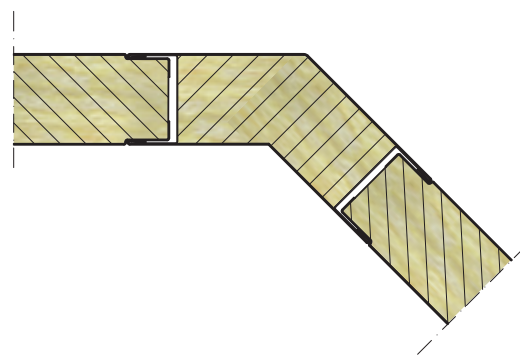
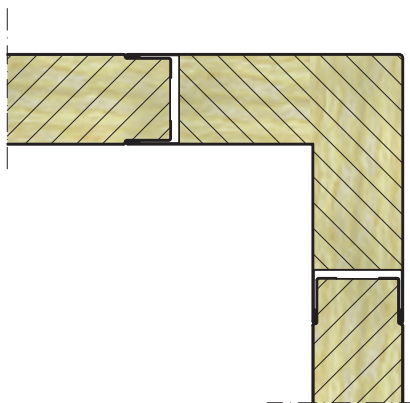
CO 25 S / CO 50 S



COD 25 / COD 50



Examples of usage:



PANEL	CO 25 / CO 50	COD 25 / COD 50	Core material
Fire class	B-15	B-15	Material: mineral wool
Module width	150-600 mm	150-600 mm	
Module length	up to 2700 mm	up to 2700 mm	Surface material
Thickness	25/50 mm	25/50 mm	Material: galvanized steel sheet, INOX Coating: PVC film, RAL Fire class: low flame spread surface class1
Sound red. (R_w)	33 dB/36 dB	33 dB/36 dB	
Application	lining/partition	lining/partition	

Copyrights © BANCO. The design or the drawing must not, without permission of the company, be published, copied or reproduced, manufactured or exploited unauthorised in any other way.

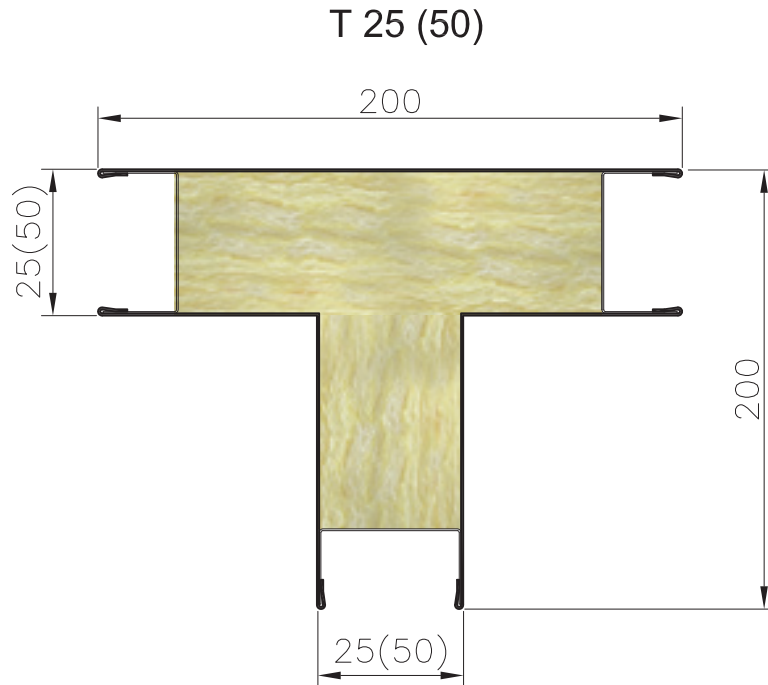


WALL PANEL SYSTEM

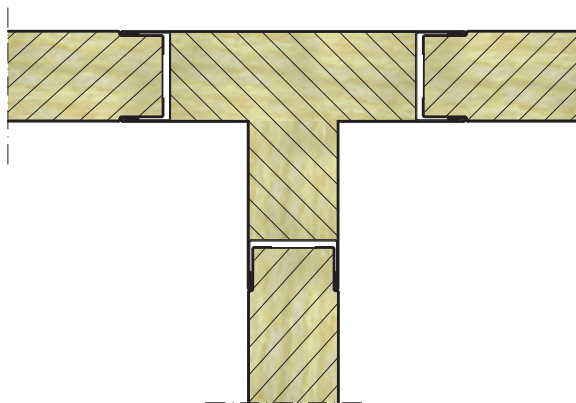
T-joint panel

KK

T 25 / T 50


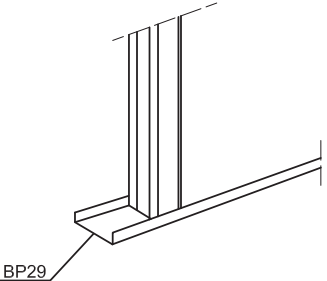
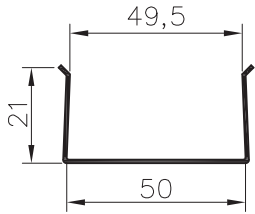
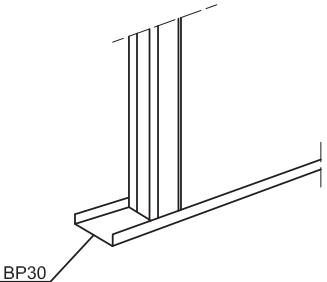
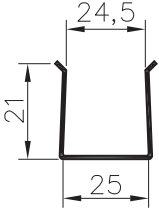
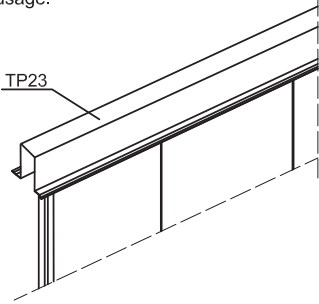
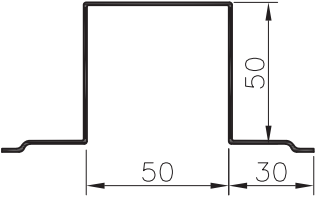
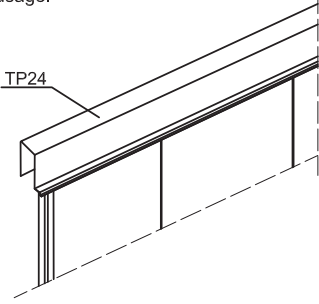
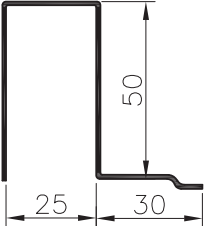
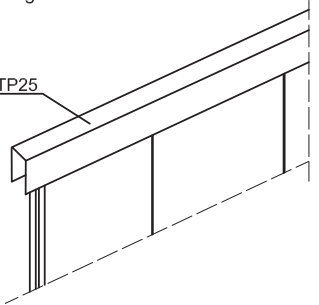
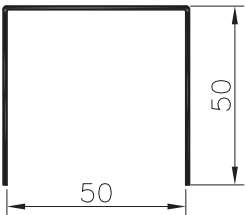


Example of usage:



PANEL	T 25	T 50	Core material
Fire class	B-15	B-15	Material: mineral wool
Module width	150-600 mm	150-600 mm	Surface material
Module length	up to 2700 mm	up to 2700 mm	Material: galvanized steel sheet, INOX
Thickness	25 mm	50 mm	Coating: PVC film, RAL
Sound red. (R _w)	33 dB	36 dB	Fire class: low flame spread surface class1
Application	lining/partition	lining/partition	

Copyrights © BANCO. The design or the drawing must not, without permission of the company, be published, copied or reproduced, manufactured or exploited in any other way.

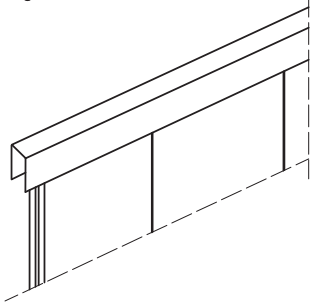
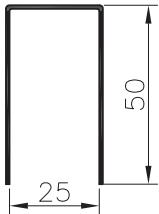

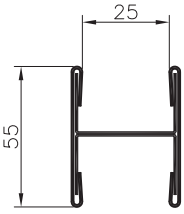

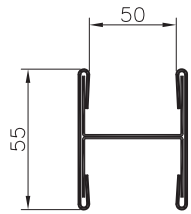
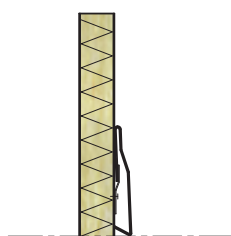
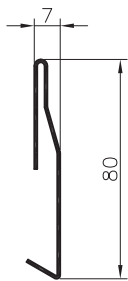
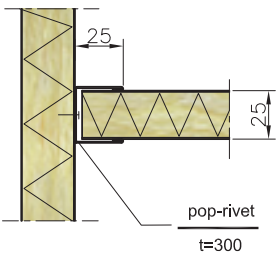
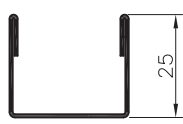
 www.banco.pl	WALL PANEL SYSTEM		KK
Profiles			
Example of usage:  BP29	BP 29		
Bottom profiles galv. steel, INOX Thickness 1 mm Weight: 0,8 kg/lm			
Example of usage:  BP30	BP 30		
Bottom profiles galv. steel, INOX Thickness 1 mm Weight: 0,5 kg/lm			
Example of usage:  TP23	TP 23		
Top profiles galv. steel, INOX Thickness 1 mm Weight: 1,7 kg/lm			
Example of usage:  TP24	TP 24		
Top profiles galv. steel, INOX Thickness 1 mm Weight: 1,3 kg/lm			
Example of usage:  TP25	TP 25		
Top profiles galv. steel, INOX Thickness 1 mm Weight: 1,2 kg/lm			



WALL PANEL SYSTEM


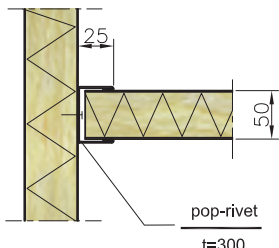
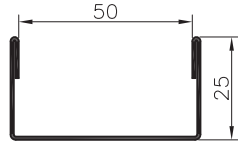
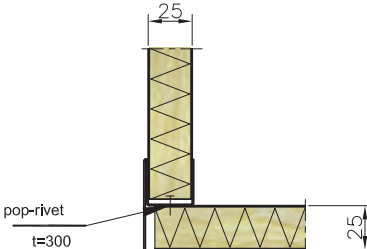
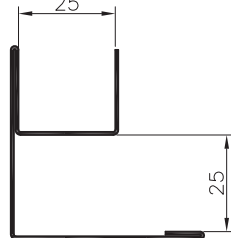
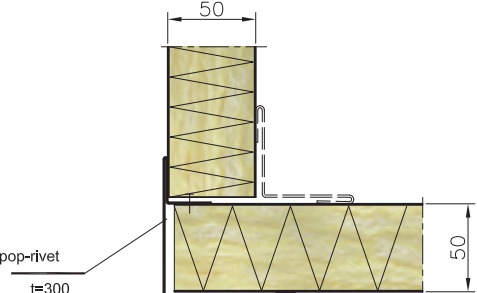
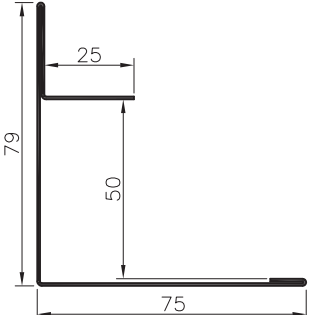
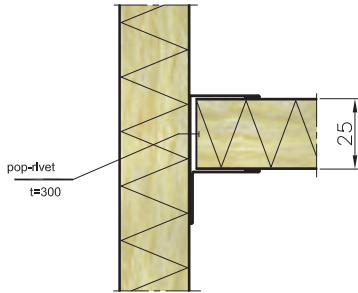
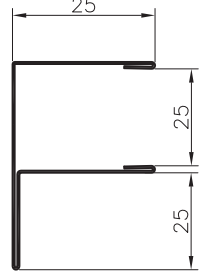
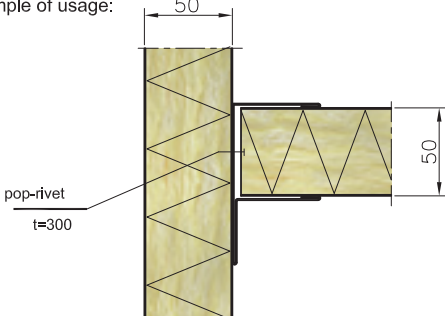
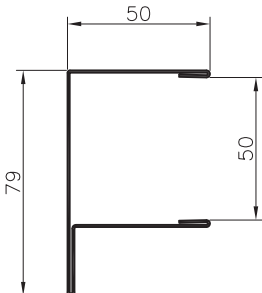
KK

Profiles

<p>Example of usage:</p> 	<p>TP 26</p> <p>Top profiles</p> <p>galv. steel, INOX Thickness 1 mm Weight: 1 kg/lm</p>	
<p>Example of usage:</p> 	<p>H25</p> <p>Connection profiles</p> <p>PVC, RAL, INOX Thickness 0,6 mm Weight: 1,4 kg/lm</p>	
<p>Example of usage:</p> 	<p>H50</p> <p>Connection profiles</p> <p>PVC, RAL, INOX Thickness 0,6 mm Weight: 1,7 kg/lm</p>	
<p>Example of usage:</p> 	<p>BP 20</p> <p>decorative profiles</p> <p>PVC, RAL, INOX Thickness 0,6 mm Weight: 0,6 kg/lm</p>	
<p>Example of usage:</p> 	<p>PRD 10-25</p> <p>PVC, RAL, INOX Thickness 0,6 mm Weight: 0,48 kg/lm</p>	

Copyrights © BANCO. The design or the drawing must not, without permission of the company, be published, copied or reproduced, manufactured or exploited unauthorised in any other way.

Copyrights © BANCO. The design or the drawing must not, without permission of the company, be published, copied or reproduced, manufactured or exploited unauthorised in any other way.

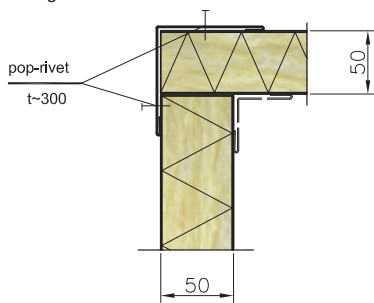
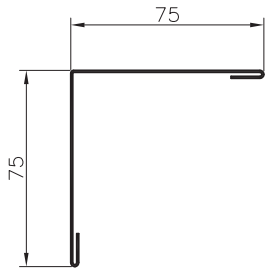
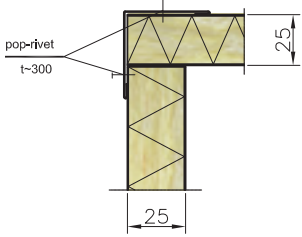
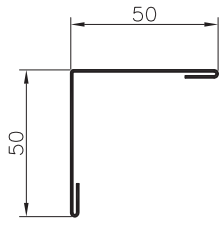
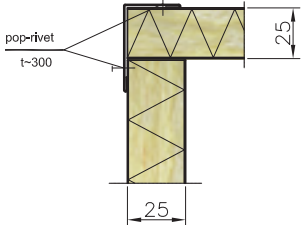
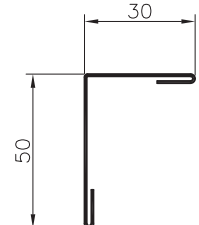
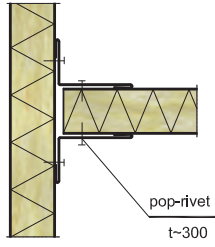
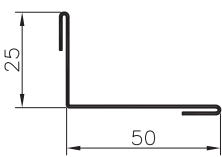
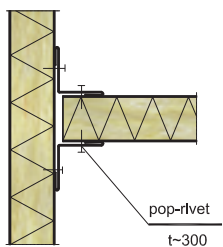
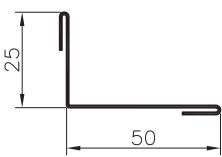
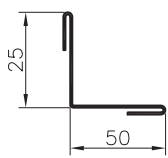
 www.banco.pl	WALL PANEL SYSTEM Connection profiles	KK PRD XXX
Example of usage: 	PRD 10-50 PVC, RAL, INOX Thickness 0,6 mm Weight: 0,6 kg/lm	
Example of usage: 	PRD 11-25 PVC, RAL, INOX Thickness 0,6 mm Weight: 0,87 kg/lm	
Example of usage: 	PRD 11-50 PVC, RAL, INOX Thickness 0,6 mm Weight: 1,1 kg/lm	
Example of usage: 	PRD 12-25 PVC, RAL, INOX Thickness 0,6 mm Weight: 0,72 kg/lm	
Example of usage: 	PRD 12-50 PVC, RAL, INOX Thickness 0,6 mm Weight: 1,1 kg/lm	

WALL PANEL SYSTEM


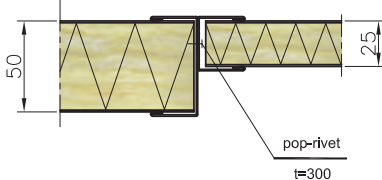
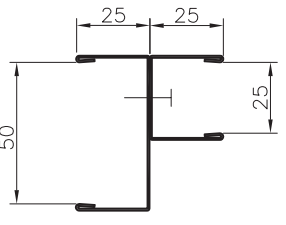
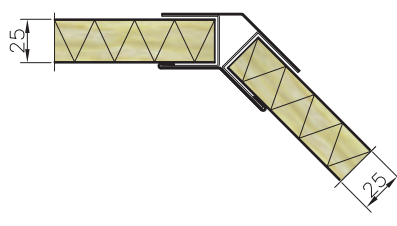
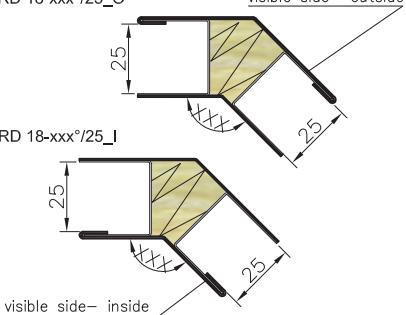
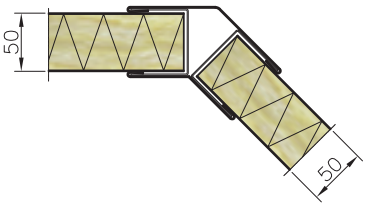
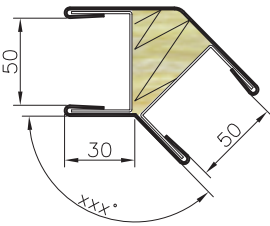
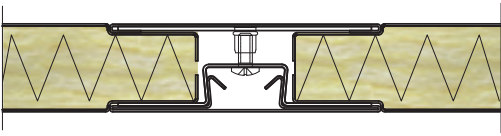
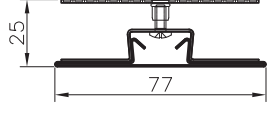
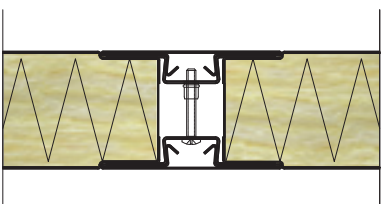
Connection profiles

KK

PRD XXX

<p>Example of usage:</p> 	<p>PRD 13</p>	
	<p>PVC, RAL, INOX Thickness 0,6 mm Weight: 0,82 kg/lm</p>	
<p>Example of usage:</p> 	<p>PRD 14</p>	
	<p>PVC, RAL, INOX Thickness 0,6 mm Weight: 0,6 kg/lm</p>	
<p>Example of usage:</p> 	<p>PRD 15</p>	
<p>Example of usage:</p> 	<p>PRD 16</p>	
<p>Example of usage:</p> 	<p>PRD 16</p>	
	<p>PVC, RAL, INOX Thickness 0,6 mm Weight: 0,45 kg/lm</p>	
	<p>PRD 17</p>	
	<p>PVC, RAL, INOX Thickness 0,6 mm Weight: 0,35 kg/lm</p>	

Copyrights © BANCO. The design or the drawing must not, without permission of the company, be published, copied or reproduced, manufactured or exploited unauthorised in any other way.

 www.banco.pl	WALL PANEL SYSTEM Connection profiles	KK PRD XXX
Example of usage: 	PRD 10-25/50 PVC, RAL, INOX Thickness 0,6 mm Weight: 1,1 kg/lm	
Example of usage:  <p>Angle "xxx°" between 90° and 180°</p>	PRD 18-xxx°/25_O PRD 18-xxx°/25_I PVC, RAL, INOX Thickness 0,6 mm Weight: 1,7 kg/lm	
Example of usage:  <p>Angle "xxx°" between 90° and 180°</p>	PRD 19-xxx°/50 PVC, RAL, INOX Thickness 0,6 mm Weight: 2,2 kg/lm	 <p>both sides are visible</p>
Example of usage: 	PRD 31/25 PVC, RAL, INOX Thickness 0,6 mm Weight: 2,5 kg/lm	
Example of usage: 	PRD 30/50 PVC, RAL, INOX Thickness 0,6 mm Weight: 3,6 kg/lm	