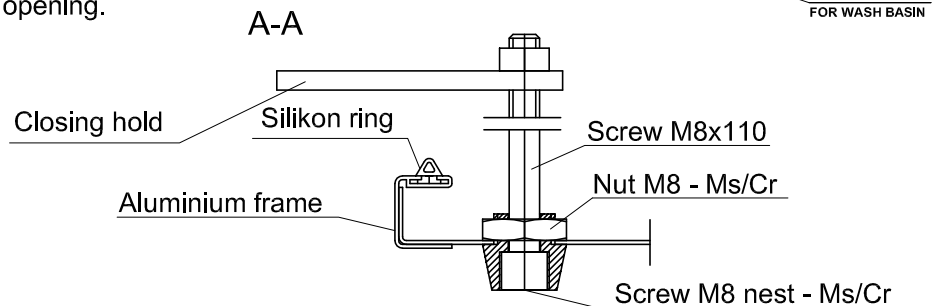


Att:

1. On the drawing shown left side opening.



### SWING WALL

Metal swing wall is a part of the sanitary cabins equipment. It is mounted to the wall of sanitary cabin by hinges and performs a function of locker and mirror.

Swing walls are equipped with our standard light fittings (see product sheet KK 3118-1x) designed for marine units and certified with IP44.

In the upper part there is one mirror and one shelf.

Swing wall as our other products are protected against corrosion with galvanic and painted with powder in color RAL9003 (white) or custom fit.

### NOTES:

1. Basic material: steel
2. Finish: powder coat
3. Weight: 37kg