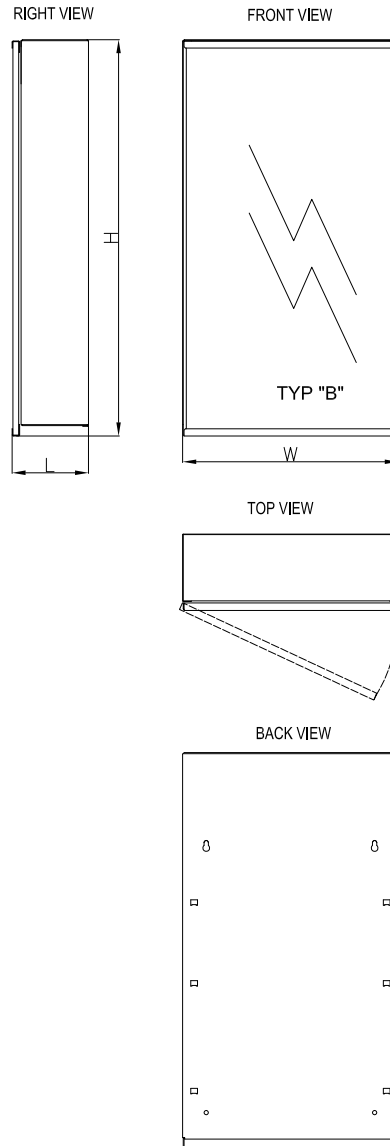
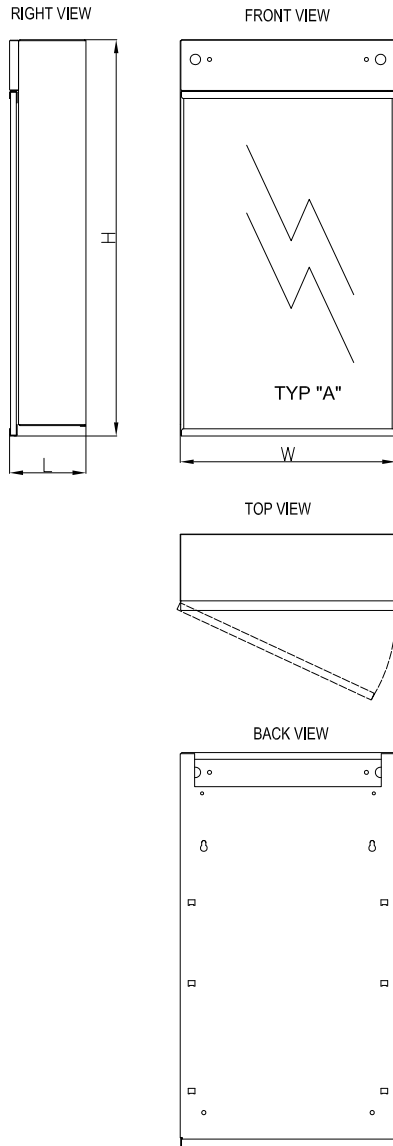


MIRROR CABINET WITH INTEGRAL LIGHT

MIRROR CABINET WITHOUT LIGHT



**DESIGNATION:**

KK 30-901/type/dimensions/material/color

Type: with or without integral light (A or B)

Material: ST-steel

SS - stainless steel

Color: according to RAL (standard 9003)

**EXAMPLE OF DESIGNATION:**

Mirror cabinet with integral light (type A), dimensions 620x113x588 (type 11) made of steel, painted in RAL 9003.

KK 30-901/A/11/ST/RAL 9003

**DIMENSIONS**

14	320 x 113 x 803	251 x 615	8,2
13	320 x 113 x 703	251 x 515	7,4
12	320 x 113 x 788	251 x 600	8,1
11	320 x 113 x 588	251 x 400	6,5
Type	A x B x H	DISTANCE BETWEEN HOLES FOR MOUNTING dim. horizontal x vertical (HxV)	WEIGHT (kg)

