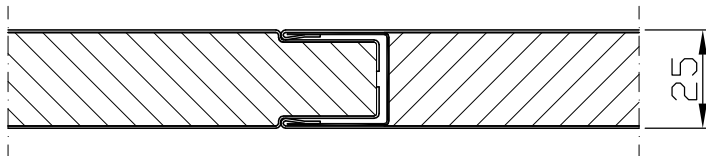
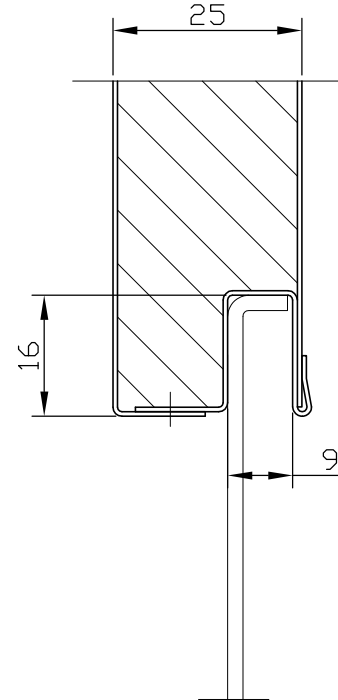
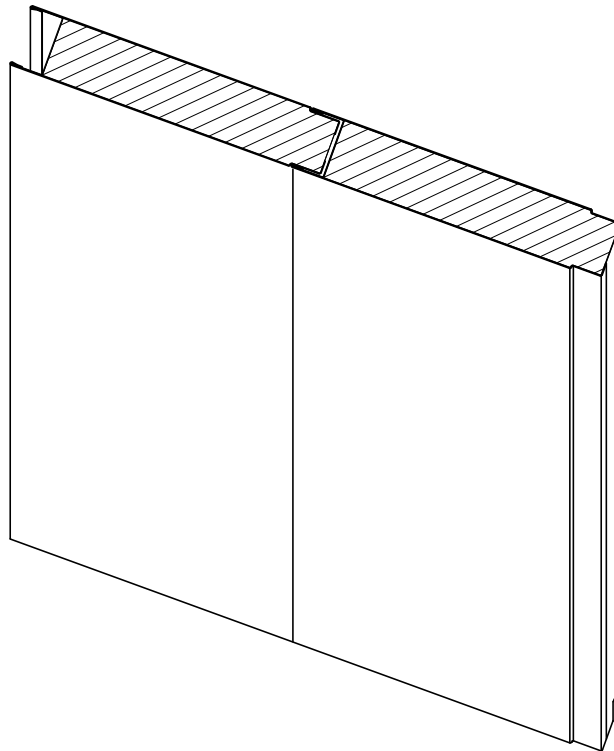


PA 25WET wall panels are designed with integrated joint part for rapid assembly, leaving flush surface on both panel sides.

Panels are available in standard and modular system for wet type compartments. See technical description below.



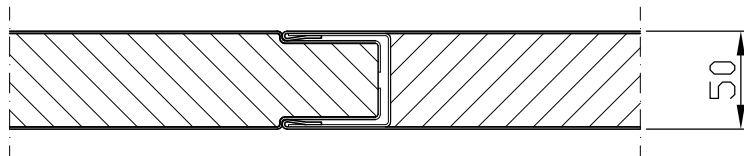
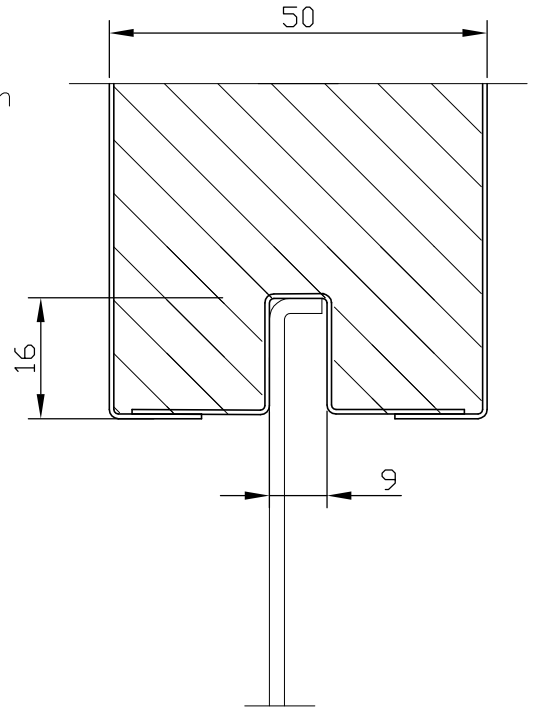
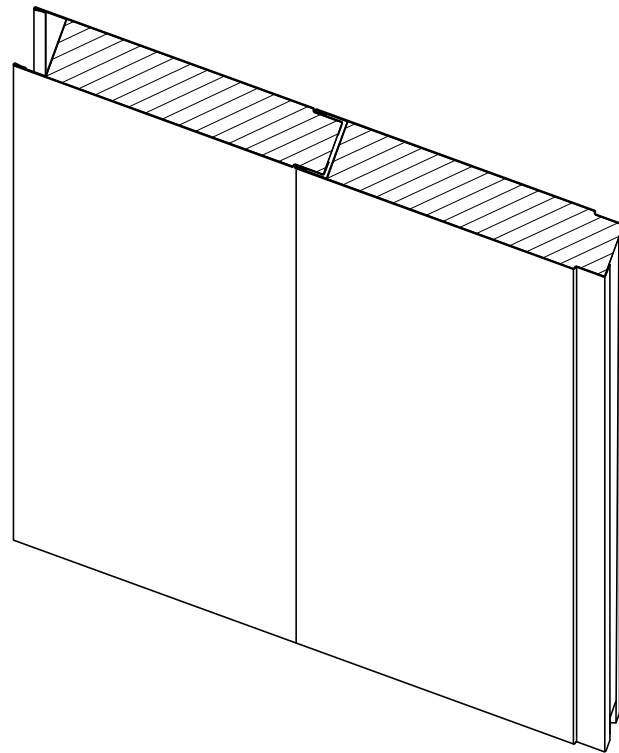
PANEL	PA 25 WET	Core material
Thickness	25 mm	Material: mineral wool
Weight	14,1 kg/m <sup>2</sup>	Density: 150 kg/m <sup>3</sup>
Moduls width	150-600 mm	Surface material
Moduls length	up to 2500 mm	Material: hot dipped galvanised steel sheet
Fire class	B-15	Coating: PVC film 150 mm <sup>-3</sup>
Sound reduction R <sub>w</sub>	30 dB	Fire class: low flame spread surface class1
Aplication	lining	

Our products are produced according to our projects and documentation or customer's specification.

PA 50WET wall panels are designed with integrated joint part for rapid assembly, leaving flush surface on both panel sides.

Panels are available in standard and modular system for wet type compartments.

See technical description below.



PANEL	PA 50 WET	Core material
Thickness	50 mm	Material: mineral wool
Weight	18,0 kg/m <sup>2</sup>	Density: 150 kg/m <sup>3</sup>
Moduls width	150–600 mm	Surface material
Moduls length	up to 2500 mm	
Fire class	B-15	Material: hot dipped galvanised steel sheet
Sound reduction R <sub>w</sub>	34 dB	Coating: PVC film 150 mm <sup>-3</sup>
Aplication	partition	Fire class: low flame spread surface class1

Our products are produced according to our projects and documentation or customer's specification.