

PA 25S and PA 50 S wall panels are designed with integrated joint part for rapid assembly, leaving flush surface on both panel sides.

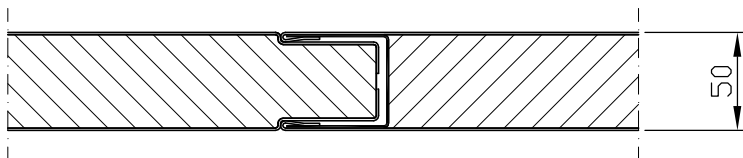
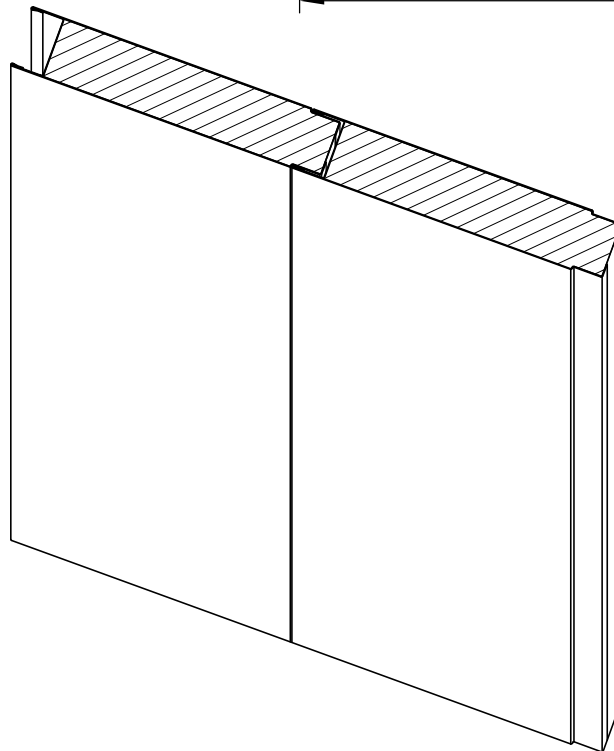
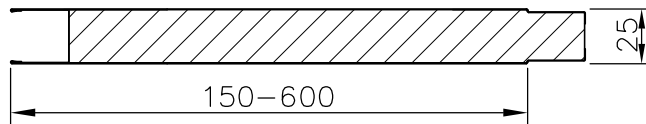
Panels are available in standard and modular system.

See technical description below.

PA 50 S



PA 25 S



PANEL	PA 25 S	PA 50 S	Core material
Thickness	25 mm	50 mm	Material: mineral wool Density: 150 kg/m ³
Weight	13,8 kg/m ²	17,5 kg/m ²	
Moduls width	150-600 mm	150-600 mm	Surface material
Moduls length	up to 2500 mm	up to 2500 mm	Material: hot dipped galvanised steel sheet Coating: PVC film 150 mm ⁻³ Fire class: low flame spread surface class1
Fire class	B-15	B-15	
Sound reduction R _w	30 dB	34 dB	
Aplication	lining	partition	

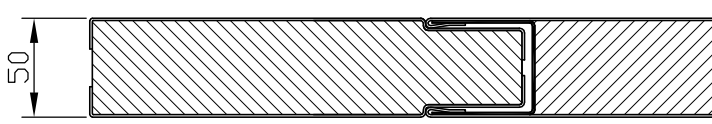
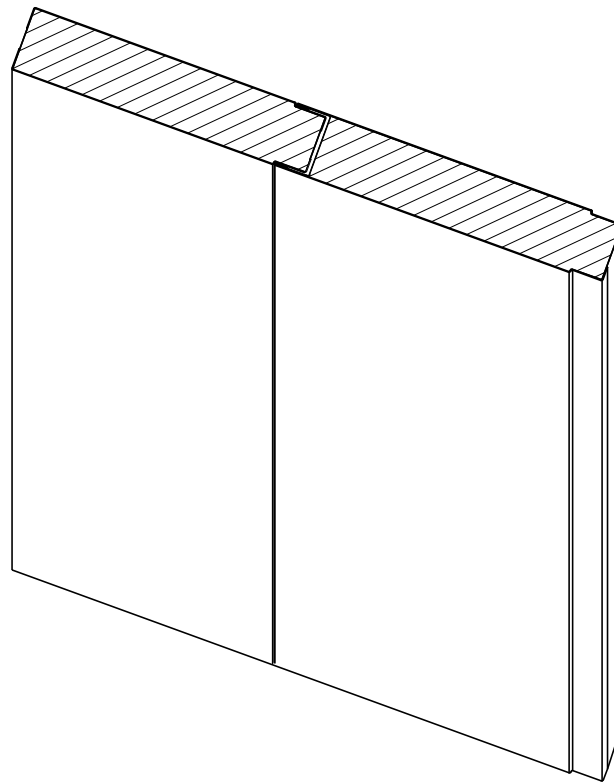
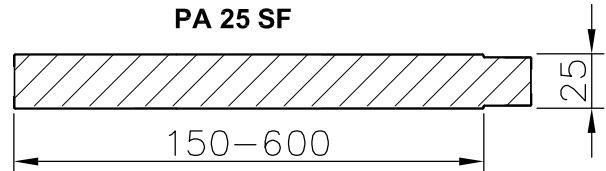
Our products are produced according to our projects and documentation or customer's specification.

PA 25 SF and PA 50 Sf wall panels are designed with integrated joint part for rapid assembly, leaving flush surface on both panel sides and one end without joint part. Panels are available in standard and modular system. See technical description below.

PA 50 SF



PA 25 SF

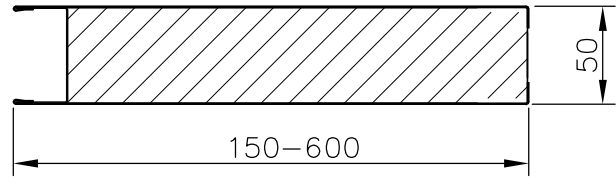


PANEL	PA 25 SF	PA 50 SF	Core material
Thickness	25 mm	50 mm	Material: mineral wool Density: 150 kg/m ³
Weight	13,8 kg/m ²	17,5 kg/m ²	
Moduls width	150-600 mm	150-600 mm	Surface material
Moduls length	up to 2500 mm	up to 2500 mm	
Fire class	B-15	B-15	Material: hot dipped galvanised steel sheet Coating: PVC film 150 mm ⁻³ Fire class: low flame spread surface class1
Sound reduction Rw	30 dB	34 dB	
Aplication	lining	partition	

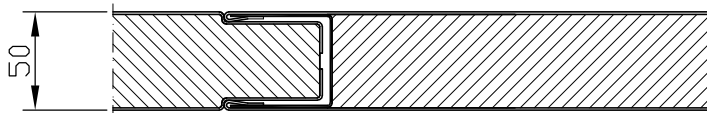
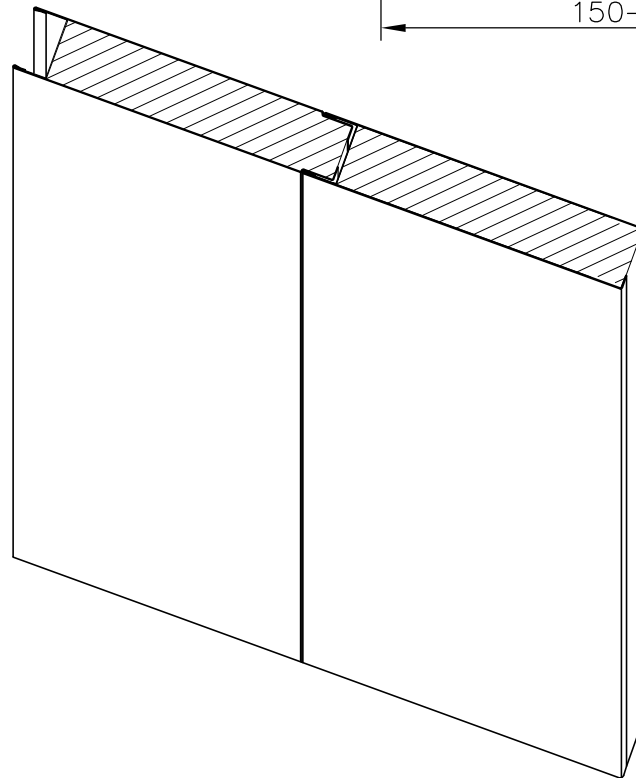
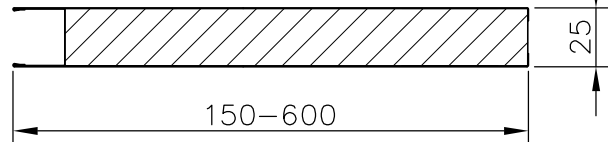
Our products are produced according to our projects and documentation or customer's specification.

PA 25SM and PA 50SM wall panels are designed with integrated joint part for rapid assembly, leaving flush surface on both panel sides and one end without joint part. Panels are available in standard and modular system. See technical description below.

PA 50 SM



PA 25 SM



PANEL	PA 25 SM	PA 50 SM	Core material
Thickness	25 mm	50 mm	Material: mineral wool Density: 150 kg/m ³
Weight	13,8 kg/m ²	17,5 kg/m ²	
Moduls width	150-600 mm	150-600 mm	Surface material
Moduls length	up to 2500 mm	up to 2500 mm	
Fire class	B-15	B-15	Material: hot dipped galvanised steel sheet Coating: PVC film 150 mm ⁻³ Fire class: low flame spread surface class1
Sound reduction Rw	30 dB	34 dB	
Aplication	lining	partition	

Our products are produced according to our projects and documentation or customer's specification.