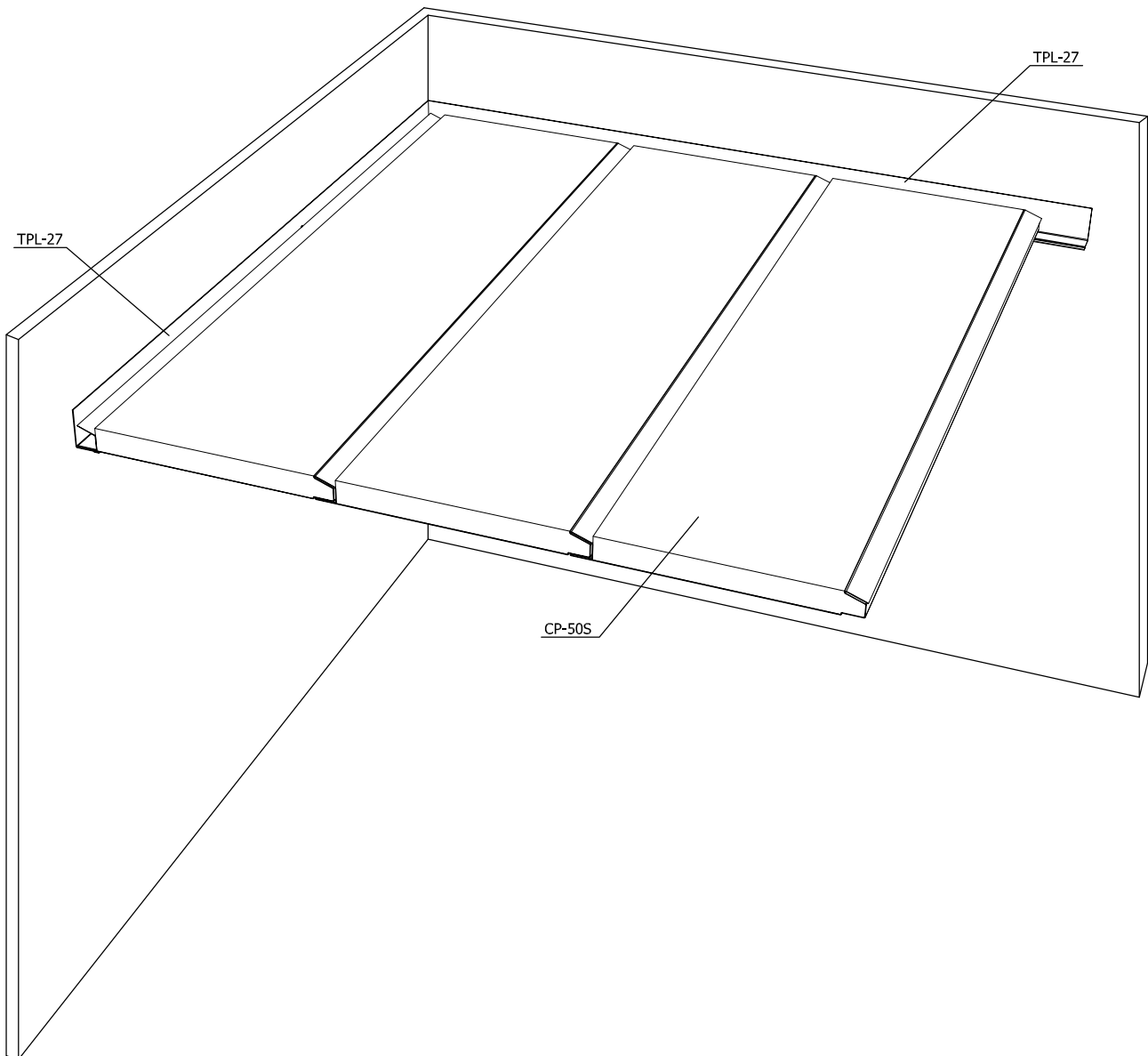
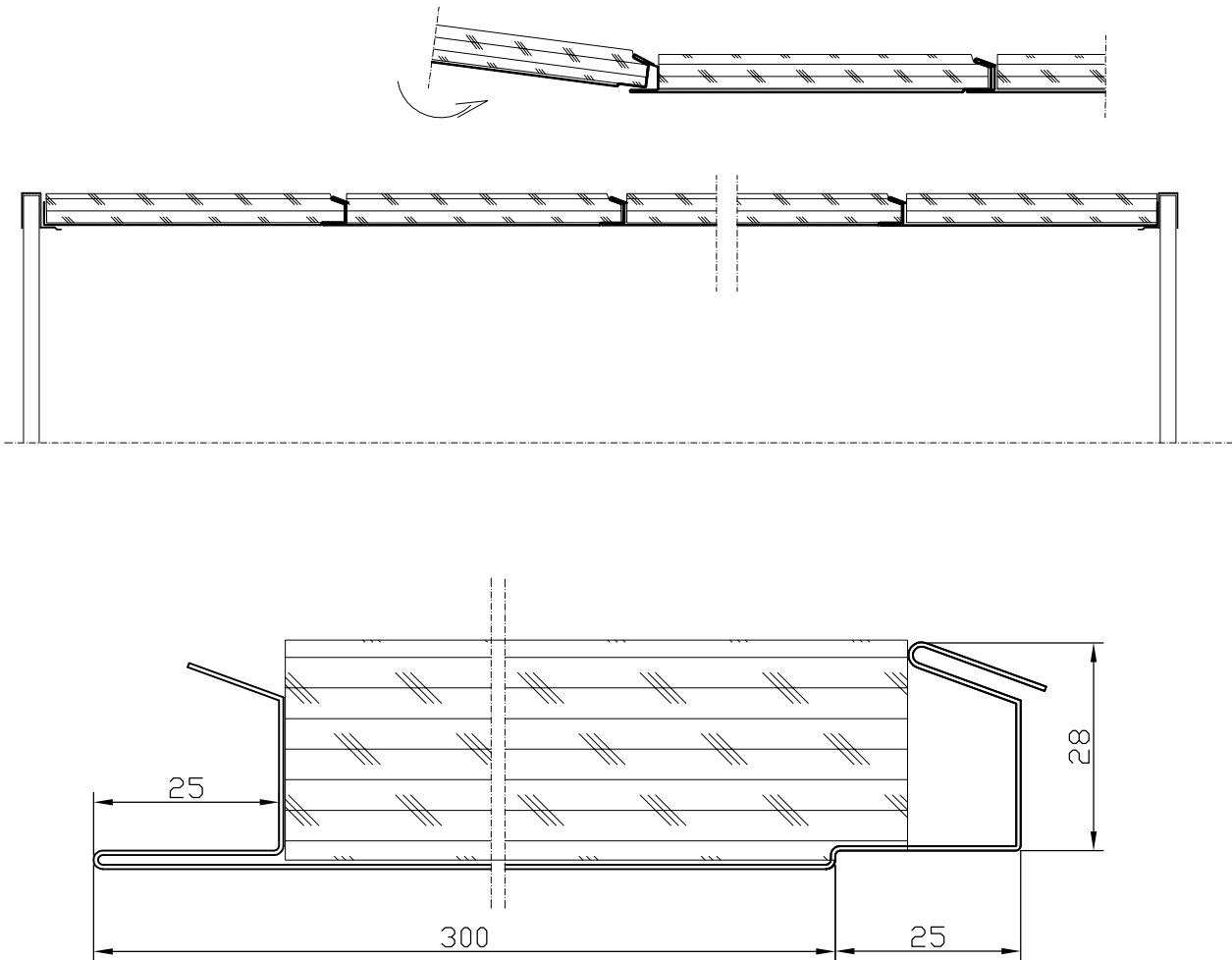


Standard installation of SELF SUPPORTING CEILING



Self-supporting CP 50 S flat ceiling system is designed as easy removed panels. Panels are available in standard and modular system. The insulation is delivered as a set with panels and no additional insulation layer is necessary for fire class B-15. See technical description below.



PANEL	CP 50S	Core material
Thickness	30 mm	Material: mineral wool Density: 150 kg/m ³ Steel sheet thickness: 0,6 mm
Weight	9.9 kg/m ²	
Moduls width	300 mm	Surface material
Moduls length – L	free span up to 3000 mm	
Fire class	B-15	Material: hot dipped galvanised steel sheet Coating: PVC film 150 mm ⁻³ Fire class: low flame spread surface class1
Aplication	accommodation compartments	

Our products are produced according to our projects and documentation or customer's specification.