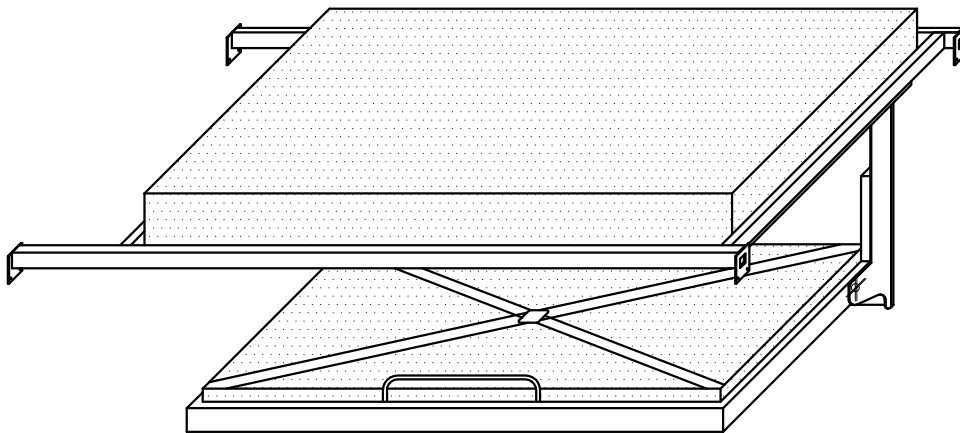
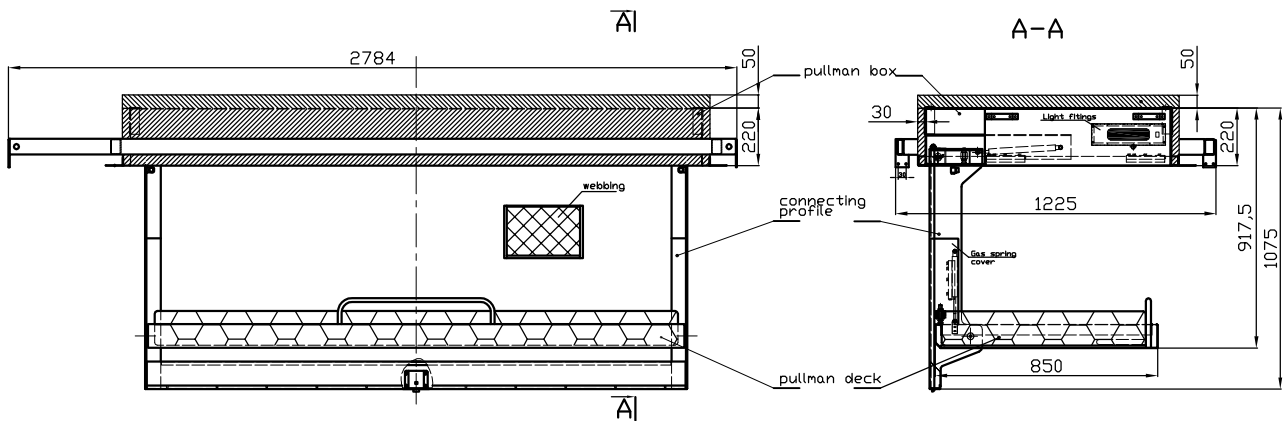


B15 Ceiling Pullman



1. Pullman box is screwed to the frame-profile at 4 points with 4 screws.
2. Frame-profile make possible to install the Pullman box in the cabin before installing the ceiling panel.
- 3 Additionally is added webbing "pocket" for small personal items.
- 4 Light fitting is part of the ceiling Pullman. It can be mounted on the left or right side according to customer needs.

Weight without box: 80 kg
 Weight of the Pullman box: 70 kg
 Mattress dimensions: 2000x800 mm