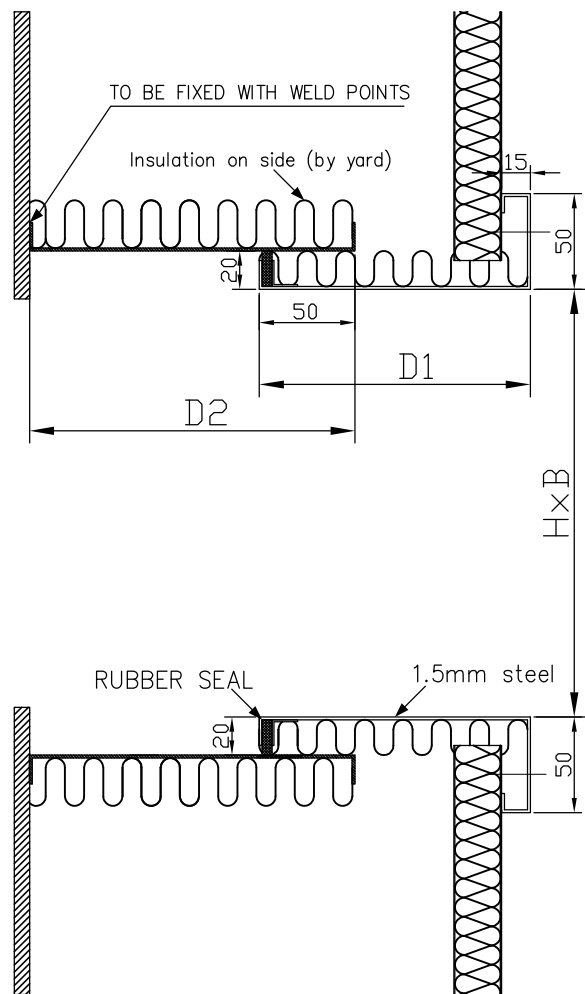
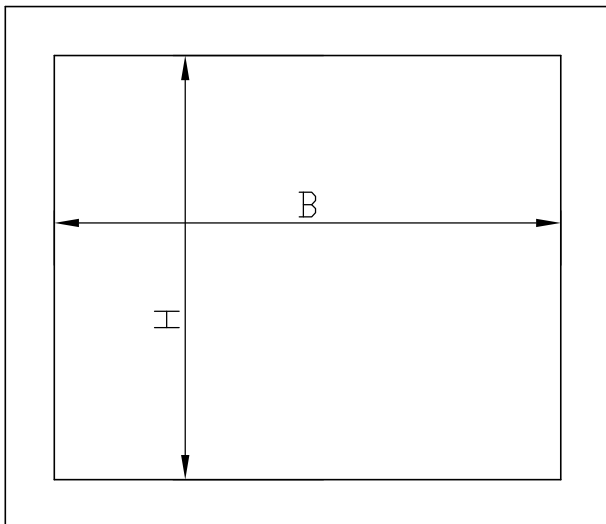


Window Boxes are produced according to customer specification.

They are galvanized and powder painted in RAL color.



EXAMPLE OF WINDOWS ORDER:

Window	H x B	D1	D2	Colour	Pcs.
75-100	500x500	250	250	RAL 9003	10

Our products are produced according to our projects and documentation or customer's specification.