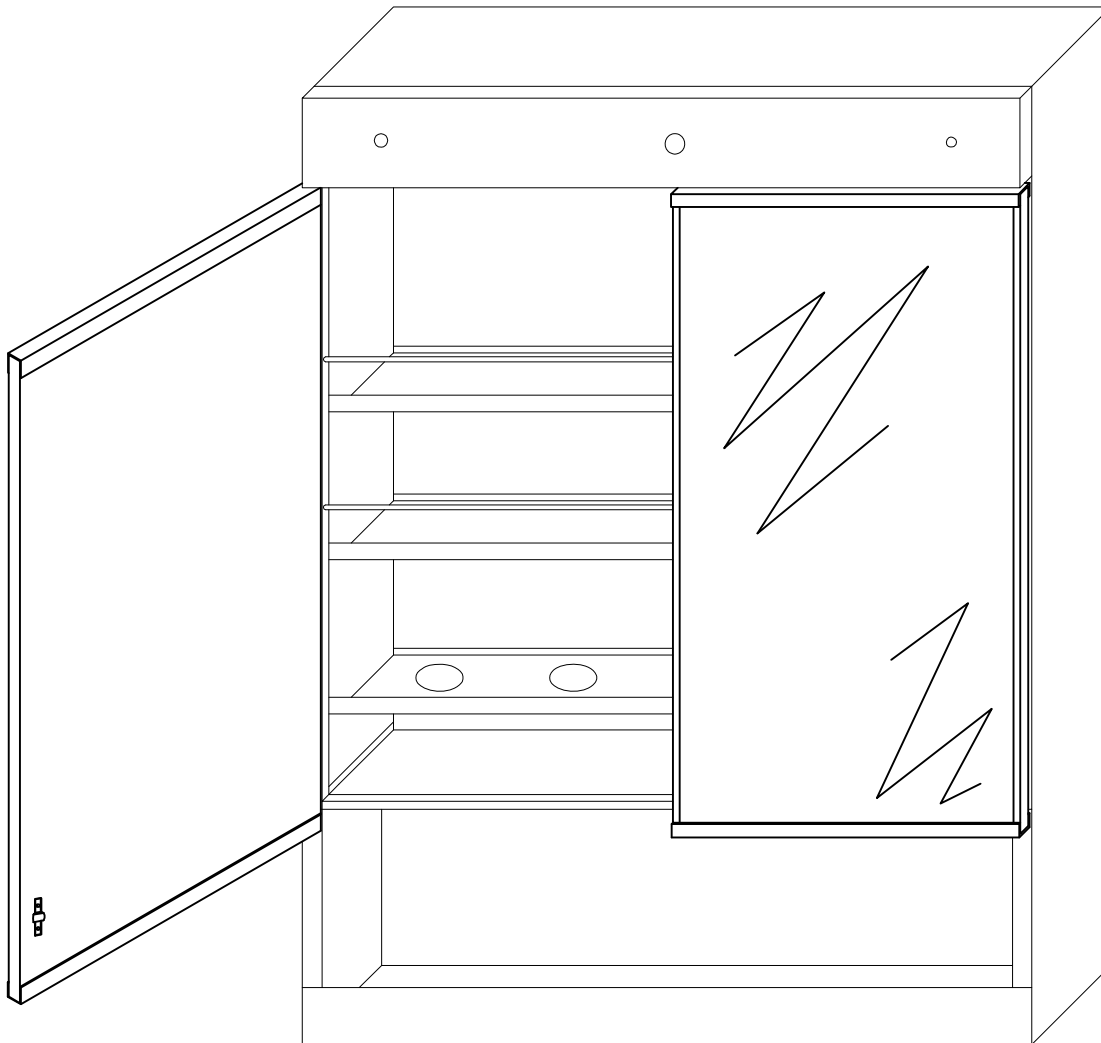


**II doors mirror cabinet with lower shelf**

Mirror cabinets can be made in two different types. Cabinets with mirror door from the bottom to the very top and mirror cabinets with integral light.

Cabinets can be equipped with light fittings designed for marine units and certified with IP44 (see our product sheet for light fittings KK 3118-1x). Internal, cabinets are equipped with three shelves, lower shelf with holes for cups and additional shelf on the bottom.

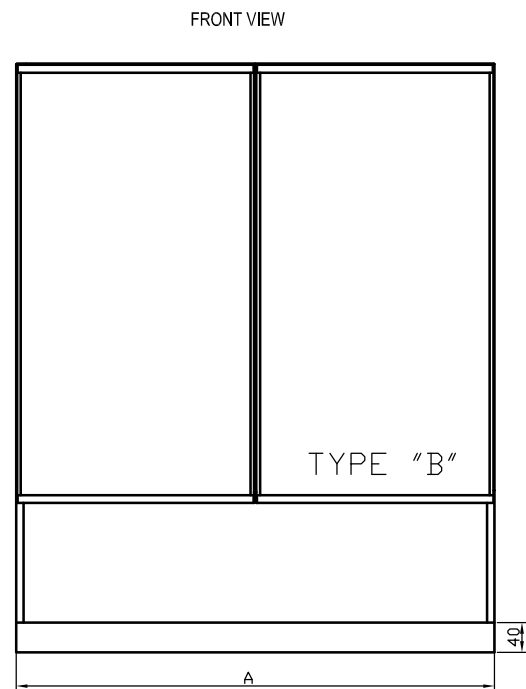
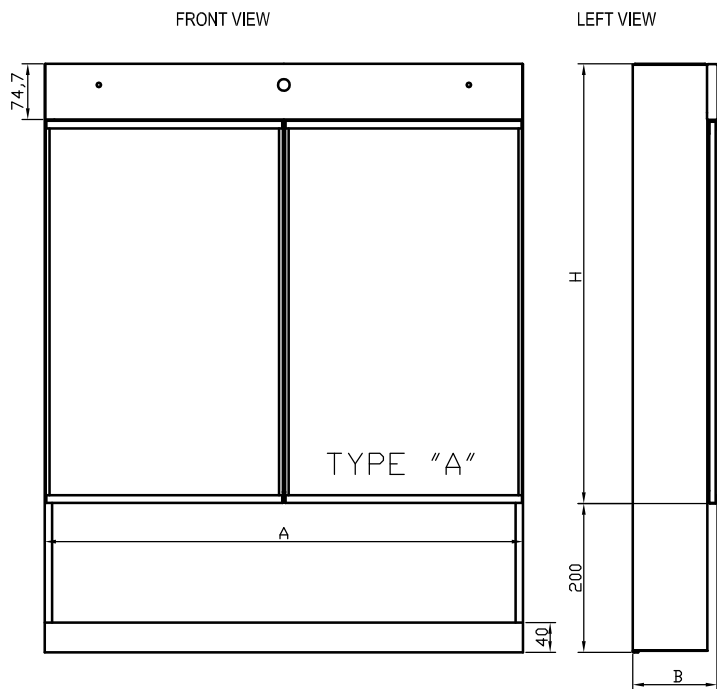
Doors are fixed to the corps with the solid hinges with shutters. To avoid accidental opening of the doors, they are secured with the latches.

All cabinets are protected against corrosion with galvanic and painted with powder paints.

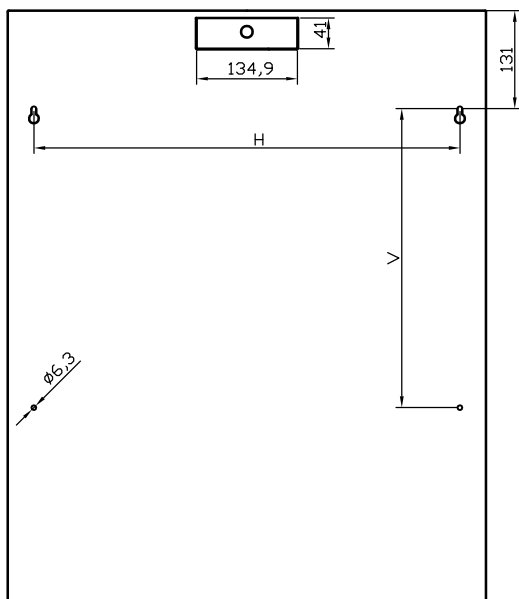
Our furniture are produced according to our projects and documentation or customer's specification.

MIRROR CABINET WITH INTEGRAL LIGHT

MIRROR CABINET WITHOUT LIGHT



BACK VIEW



DIMENSIONS

27	690 x 113,5 x 703,5	621 x 515	15,4
26	690 x 113,5 x 803,5	621 x 615	17,1
25	690 x 163,5 x 703,5	621 x 515	17,4
24	640 x 113,5 x 803,5	571 x 615	16,1
23	640 x 113,5 x 703,5	571 x 515	14,5
22	640 x 113,5 x 788,5	571 x 600	15,9
21	640 x 113,5 x 588,5	571 x 400	12,7
Type	A x B x H	DISTANCE BETWEEN HOLES FOR MOUNTING dim. horizontal x vertical (HxV)	WEIGHT (kg)

DESIGNATION:

KK 30-902/type/dimensions/material/color

Type: with or without integral light (A or B)

Material: ST-steel

SS - stainless steel

Color: according to RAL (standard 9003)

EXAMPLE OF DESIGNATION:

Mirror cabinet with integral light (type A), dimensions 640x113.5x588.5 (type 21) from steel, painted in RAL 9003.

KK 30-902/A/21/ST/RAL 9003